

Monocrystalline Photovoltaic Module »



MEPV 120 ULTRA PREMIUM

BLACK » 400 Wp

QUALITY »



IBC technology
Interdigitated
back contact



N-type cell
120 Half-Cut IBC



Staubli MC4
Top quality components



Premium integration
Total black



Long durability
90% at the 30th year



Efficiency
Over 22% efficiency



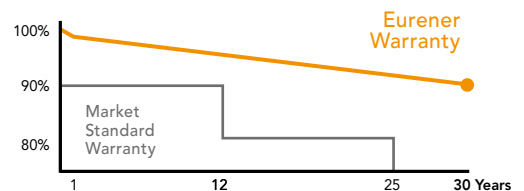
1997 to 2022
25TH
ANNIVERSARY

*** EUROPEAN QUALITY

WARRANTIES »

20 YEARS PRODUCT WARRANTY
+5 years for Premium Partners

30 YEARS PERFORMANCE WARRANTY
Linear Warranty



CERTIFICATES »



TECHNICAL FEATURES »

Eurener_MEPV 120_ULTRA PREMIUM_400Wp_2022EN

FRAME

Black anodized aluminium

Robust and resistant to corrosion

CONNECTION BOX AND PROTECTIONS

Sealed, robust and wide for heat dissipation

IP68 according to IEC 60529

Diodes by-pass built-in (3/6)

Connector MC4

Application Class A. Safety Class II

Cables 1000 mm ($\pm 20\%$) length and 4 mm² section

FRONTAL

3,2 mm thick tempered glass with high strength and ARC

Textured, extra-clear with low iron content

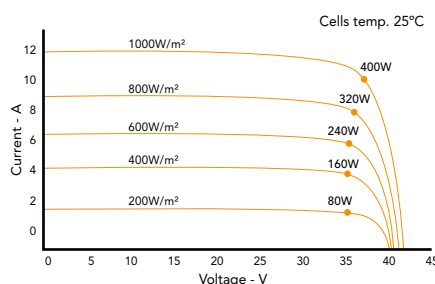
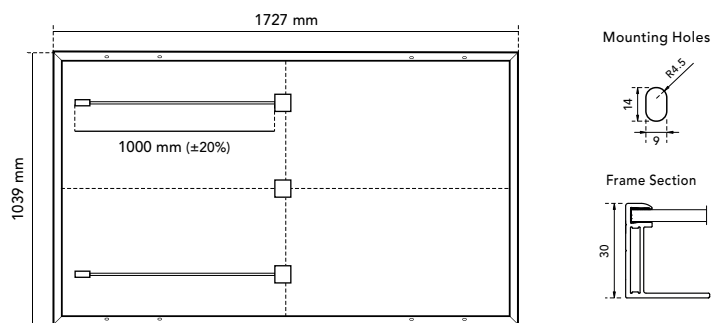
Frontal load (snow) 5400 Pa | Back load (wind) 2400 Pa

SOLAR CELLS

120 (6x20) cells monocrystalline silicon

WEIGHT, DIMENSIONS AND PACKAGING

20 Kg | 1727 x 1039 x 30 mm ($\pm 1\%$) | Pack: 949 pcs-truck



ELECTRIC DATA »

BLACK	MEPV 400
STC: 1000 W/m², module temperature 25°C, AM 1,5	
Nominal power. Pmax	400 Wp
Max. power tolerance. Pmax	0 / +5 W
Area of the module	1,79 m ²
Module efficiency	22,30 %
Isc	12,05 A
Voc	42,10 V
I _{mp}	11,09 A
V _{mp}	36,10 V
NOCT: 800 W/m², ambient temperature 20°C, AM 1,5	
Nominal power. Pmax	302 W
Isc	9,65 A
Voc	40,30 V
I _{mp}	9,02 A
V _{mp}	33,50 V
Operating parameters. Temperature coefficients	
Maximum voltage	1500 V
Maximum series fuse rating. I _r	20 A
α I _{sc}	0,046 % / °C
β V _{oc}	- 0,246 % / °C
γ P _{max}	- 0,290 % / °C
Temperature range	- 40°C ~ + 85 °C
NOCT	43 \pm 2 °C

NOTE: Read the instruction manual of this product and follow the indications STC. Values are valid for: 1000W/m², AM 1,5 and cells temperature of 25°C. Measurement tolerance $\pm 3\%$ (AAA Solar simulation -IEC 60.904-9-). All the information of this brochure may be amended without notice by Eurener. Eurener_MEPV 120_ULTRA PREMIUM_400Wp_EN_JUN2022

1997 to 2022
25
TH
ANNIVERSARY

www.eurenergroupp.com
contact@eurenerworld.com
+34 960 045 515
Calle Colón, 1-23
46004, Valencia, Spain

25 years manufacturing a better world

Since 1997 our main purpose has been to supply quality and long-lasting photovoltaic modules that allow us and future generations, to continue generating clean energy to take care of our planet.