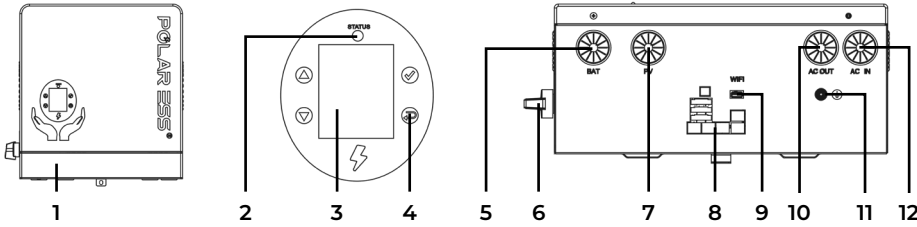


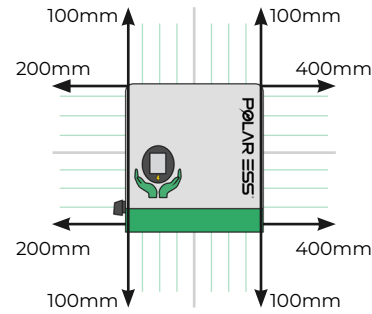
ALPS HY3.6 - 6.0 GL: a quick start guide

Components

- | | | | |
|-----------------|-----------------|------------------------|--------------------------|
| 1. Bottom cover | 4. Push button | 7. PV port | 10. EPS connector |
| 2. Status LED | 5. Battery port | 8. Communication ports | 11. Battery earth point |
| 3. LCD screen | 6. PV switch | 9. USB port | 12. AC IN grid connector |

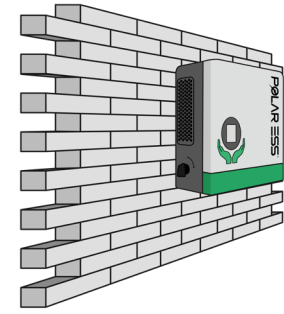


Clearance



Ensure that there is a minimum of 400mm clearance space around the inverter.

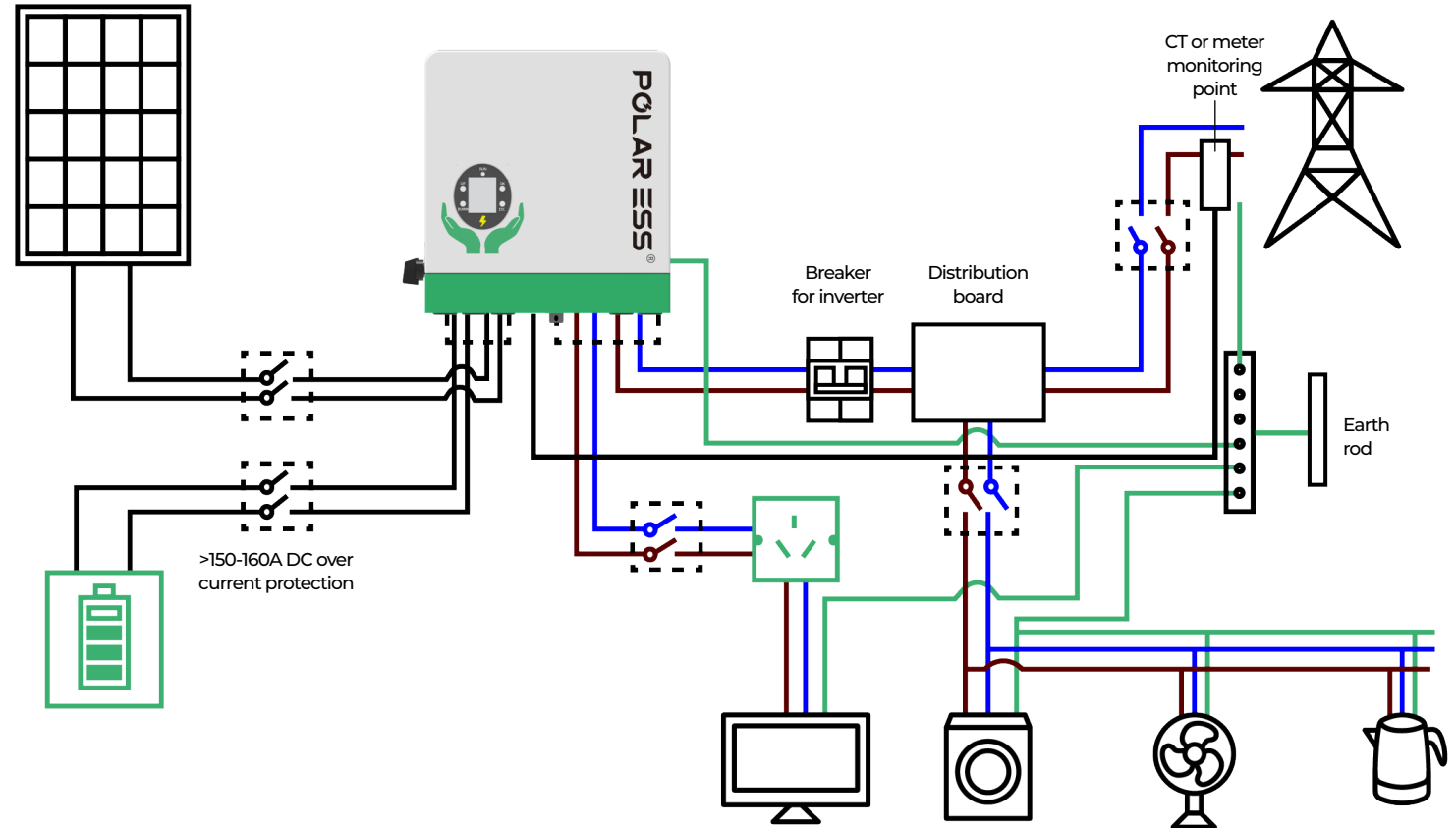
Wall mounting



Be careful to avoid pipes and electrical cables when punching holes into the wall.

System overview

1. You **must** consider the suitable positioning of the battery and the PV.
2. You can choose CT or smart meter to connect to the inverter. If there are strict requirements on the limited export power, a smart meter is recommended.



Earth connection

Main earth connection should be connected to the grid tied terminal block.

Note: The earth bond point on the bottom of the inverter is designed for connection to the battery and additional earth bonding.

Battery terminal connection

1. Properly crimp ring terminals to power cables
2. Ensure connection is tight and the ring terminal cannot move

PV connection

1. Please make sure the PV input voltage/current isn't beyond the specification
2. When installing the PV terminal, pay attention to the positive and negative terminals and one-to-one correspondence between the terminals and inverter. Follow the labelling underneath the connection points

AC connection

1. Grid tied connections are on the right-hand side
2. If using the back-up connect on the left-hand terminals, ensure that you have sufficient overcurrent protection and sufficient earthing in place

Communication cables installation

Powering the inverter on/off

Before powering on, please make sure all voltages and currents are in the range of the hybrid inverter's specifications. Operate via the following steps:

1. Turn on PV switch
2. Turn on the switch between the grid and the hybrid inverter
3. Turn on the switch between the battery and the hybrid inverter and wake up the battery
4. To set up the hybrid inverter, refer to the detailed online installation manual
5. Note that shutdown steps are opposite to the above order

Status lights

LED	Status
Green light on	Running normally
Red light on	Fault state
Green light blinking	Standby or bypass state
Red light blinking	Alarm state
Red lights and green lights blinking	Software updating

Cable connections

LED	Type	Notice
PE cable	Single multi-core yellow green copper cable	The lithium battery has its own power and communication line to use
AC output cable	Two or three different colour multi-core copper cables. Size: 3.6kW - 4mm ² (min), 6kW - 6mm ² (min)	The hybrid inverter includes the basic communication line(s) to use directly
PV input cable	Photovoltaic dedicated cable (such as PV1-F). Size: 4mm ²	Please make sure all the switches are off before install. For your safety, please do not operate when power is on.
Battery power cable	Red and black multi-core copper. Size: 3AWG or 25mm ²	
Other communication cables	Network cable with RJ45 connectors. Ensure correct configuration when terminating your own cables.	

To wake up the screen and view more information, push any button. The screen will then display the main interface from which you can view basic information or enter the system menu.