



# IQ Battery 5P

The IQ Battery 5P all-in-one AC-coupled system is powerful, reliable, simple, and safe. It has a total usable energy capacity of 5.0 kWh and includes six embedded IQ8D-BAT Microinverters with a 3.2 kVA continuous power rating.

## Components of the Enphase Energy System



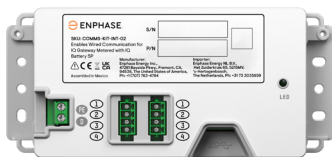
### IQ Gateway and current transformers (CTs)

Provides complete control and insights into the Enphase Energy System. IQ Gateway is shipped with two CTs to enable production and consumption monitoring with an accuracy of  $\pm 1\%$ .



### IQ Microinverters

IQ Series Microinverters pack more power into less space than other rooftop solar systems and make rooftop solar more productive, reliable, smart, and safe.



### Communications Kit 2 INT

The Enphase Communications Kit 2 INT enables wired communication between IQ Gateway Metered and IQ Battery 5P using Control cables.



### IQ Battery 5P accessories

The IQ Battery 5P lifting handles are reusable and ease the installation process. The IQ Battery 5P pedestal enables floor mounting of the IQ Battery 5P.

## Powerful

- Provides 3.2 kVA continuous power
- Includes six embedded IQ8D-BAT Microinverters

## Reliable

- 15-year limited warranty - IQ Battery 5P
- Cools passively with no moving parts or fans
- Uses wired communication for fast and consistent connection
- Updates software and firmware remotely

## Simple

- Fully integrated AC-coupled battery system
- Installs and commissions easily
- Supports Self-Consumption mode of operation
- Offers homeowners remote monitoring and control from the Enphase App
- Field replaceable components

## Safe

- Meets UL 9540A, the highest industry standard for battery safety
- Uses lithium iron phosphate (LFP) chemistry for maximum safety and longevity

## Grid compliance

- EREC G98, G99, and G100 Issue 2 Amd 2



# IQ Battery 5P

PRODUCT DETAILS	UNITS	IQBATTERY-5P-1P-INT
Name		IQ Battery 5P
Description		The IQ Battery 5P with integrated IQ8D-BAT Microinverters and battery management system (BMS) with battery controller
OUTPUT (@230 VAC <sup>1</sup> )		
Rated (continuous) output apparent power <sup>2</sup>	kVA	3.2
Nominal voltage	VAC	230
Nominal voltage range	VAC	195–253
Nominal frequency	Hz	50
Nominal frequency range	Hz	47.5–51.5
Rated output current <sup>2</sup>	A	13.9
Power factor (adjustable)		0.8 leading...0.8 lagging
Interconnection		Single-phase
AC round-trip efficiency <sup>3</sup>	%	90
Optimum operating temperature range	°C	0 to 30
Operating modes		Self-Consumption and Charge from the grid
BATTERY MODULE		
Usable capacity	kWh	5.0
DC round-trip efficiency	%	96
Nominal DC voltage	V	76.8
Ambient operating temperature (charging)	°C	-20 to 50 (non-condensing)
Ambient operating temperature (discharging)	°C	-20 to 55 (non-condensing)
Chemistry		Lithium iron phosphate (LFP)
MECHANICAL DATA		
Dimensions (H × W × D)	mm	980 × 550 × 188
Lifting weight	kg	66.3
Total installed weight	kg	78.9
IQ Battery enclosure		Outdoor-IP55
IQ8D-BAT Microinverter enclosure		Outdoor-IP67
Cooling		Natural convection
Altitude	m	2500
Mounting		Wall mount (included) or pedestal mount (sold separately)
COMMUNICATION INTERFACES		
Communication		Wired control communication
Monitoring		Enphase Installer Platform and Enphase App monitoring options; API integration
STANDARDS		
Grid compliance		G98, G98 NI, G99, G99 NI, G100-2
Safety		UN 38.3, EN 62040-1, IEC 62619 2022, EN IEC 62109-1 & 2, IEC/EN 62116
EMC		EN 61000-3, EN 61000-6 EMC, EN 55011:2016+A11:2020, IEC 61326-1, EN 50065-1, EN 50065-2-2
EC Declaration of Conformity <sup>4</sup>		Electro Magnetic Compatibility (EMC) Directive 2014/30/EU, Low Voltage Directive (LVD) 2014/35/EU, Restriction of Hazardous Substances (RoHS), 2011/65/EU, and Battery Directive 2006/66/EC
Product labelling		CE
LIMITED WARRANTY		
Limited warranty - IQ Battery 5P		>60% capacity, up to 15 years or 6000 cycles <sup>5</sup>

(1) Supported in grid-tied operation

(2) Limited by software

(3) AC to the battery to AC at 50% power rating at 25°C

(4) The full text of the EU Declaration of Conformity (DoC) is available at <https://enphase.com/en-gb/installers/resources/documentation>

(5) Whichever occurs first. Restrictions apply. The full text of the warranty is available at <https://enphase.com/en-gb/warranty/uk>

# IQ Battery 5P

## WHAT'S IN THE BOX

ORDER CODE: IQBATTERY-5P-1P-INT

IQ Battery 5P	Base battery unit of IQ Battery 5P with integrated six IQ8D-BAT Microinverters
ID cover and conduit cover	IQ Battery 5P cover with two conduit covers for the left and right sides of the unit
Bottom mounting bracket and top protective shield	Bottom mounting bracket for mounting the battery on the wall and one top protective shield
M5 locking screws	Two M5 locking screws for securing the battery unit on the bottom mounting bracket
M4 grounding screws	Two M4 grounding screws for securing the top protective shield on the bottom mounting bracket
M5 ID cover grounding screws	Two M5 ID cover grounding screws for the EMI/EMC requirement
Cable ties	Six cable ties for securing field cables to the unit
Control (CTRL) connector	One pre-installed and one spare CTRL connector without resistor for CTRL wiring
Control (CTRL) connector with resistor	One pre-installed and one spare CTRL connector with resistor for CTRL wiring
Quick Install Guide (QIG)	QIG for IQ Battery unit installation instructions
Drill template	Two drill templates for marking drilling locations on the mounting surface

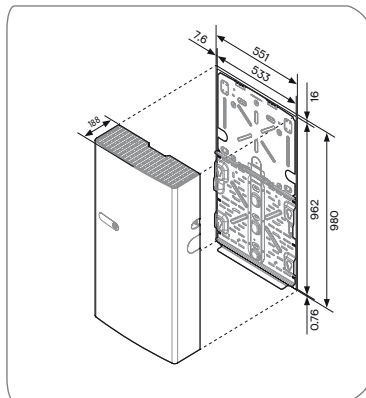
## ACCESSORIES AND REPLACEMENT PART

IQ8D-BAT-RMA	IQ8D-BAT Microinverter for field replacement
B05-T02-INT00-1-2-RMA	IQ Battery 5P Battery unit for field replacement
B05-CX-0550-O	IQ Battery 5P cover for field replacement
B05-PM-0550-O	IQ Battery 5P pedestal mount
B05-CP-096-O	IQ Battery 5P conduit plates for field replacement. Includes one left-side and one right-side conduit plate
B05-WB-0543-O	IQ Battery 5P wall bracket for field replacement. Includes one bottom mounting bracket and one top protective shield
IQBATTERY-HNDL-5	IQ Battery 5P lifting handles. Includes one left-side and one right-side lifting handle
B05-ACFB-080-O	IQ Battery 5P AC filter board for field replacement
B05-BMSRA-0490-O	IQ Battery 5P BMS board for field replacement
B05-CANBR-063-O	IQ Battery 5P control communication board for field replacement
B05-IICS-0524-O, B05-IUCS-0524-O	IQ Battery 5P control switch pre-installed on the wiring cover for field replacement

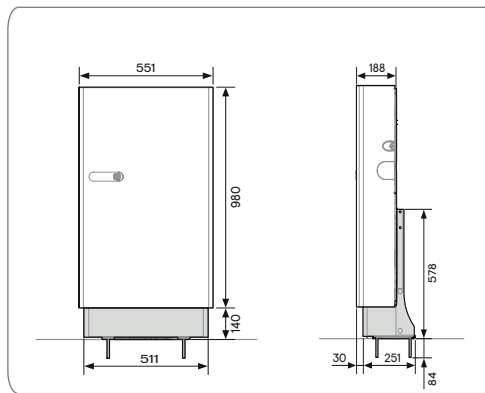
## COMPATIBILITY

IQ Battery	IQ Battery 5P
IQ Gateway	IQ Gateway Metered
Communications Kit	Communications Kit 2 INT
Solar inverters	IQ Series Microinverters, third-party PV string inverters

## Dimensions in mm



Wall-mounted



Floor mounted with Pedestal

### Note for third-party products:

Any third-party manufacturer or importer of product(s) used to install or commission Enphase product(s) shall comply with the applicable EU Directive(s) and requirements in the European Economic Area (EEA). It is the responsibility of the installer to confirm that all such products are labeled correctly and have the required compliant supporting documentation.

### Manufacturer:

Enphase Energy Inc., 47281 Bayside Pkwy., Fremont, CA, 94538, The United States of America, PH: +1 (707) 763-4784

### Importer:

Enphase Energy NL B.V., Het Zuiderkruis 65, 5215MV, 's-Hertogenbosch, The Netherlands, PH: +31 73 3035859

Assembled in China

# Revision history

Revision	Date	Description
DSH-00166-2.0	September 2023	Final release. Editorial updates, updated images and added warranty webpage link.
DSH-00166-1.0	August 2023	Initial release