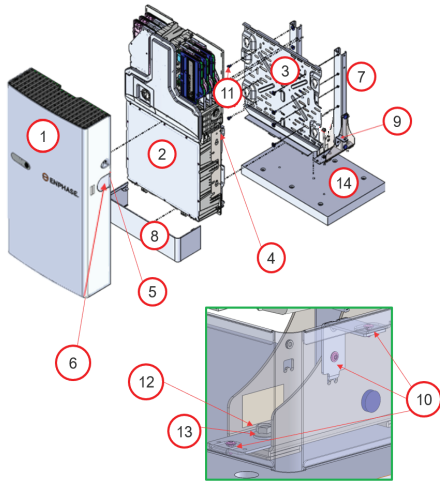


# Installing IQ Battery 5P on Pedestal Mount

To install the Enphase IQ Battery 5P on the floor using Pedestal Mount, read and follow all warnings and instructions in this guide. Safety warnings are listed at the end of this guide. These instructions are not meant to be a complete explanation of how to design and install an energy storage system. All installations must comply with national and local electrical codes and standards. Only Enphase certified installers shall install, troubleshoot, or replace the Pedestal Mount.

## A. PREPARATION

IQ Battery 5P unit(s) can be installed on the floor using the Pedestal Mount. The components required for installation are shown in the following image.



### Required tools:

- #4 Phillips bit
- #2 Phillips bit
- X20 bit
- SW15 drive
- A 10 mm drill bit
- Hammer drill
- Torque driver 1 N m to 60 N m or equivalent

## B. INSTALLATION

### 1 Planning and site preparations

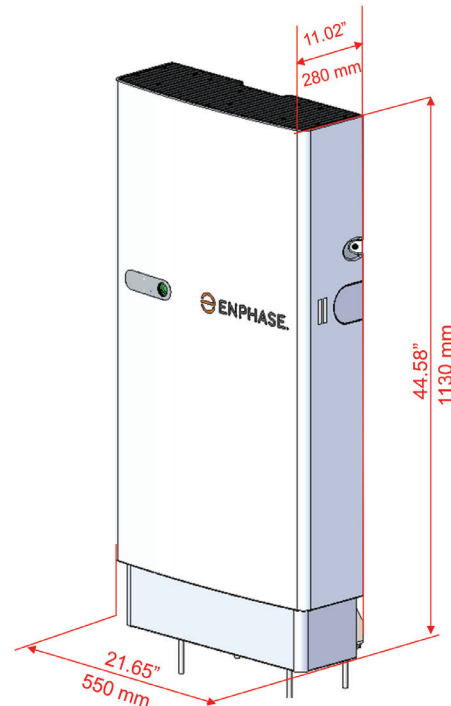
The Pedestal Mount can be used to mount one IQ Battery 5P on a level floor. This section provides guidelines on how to choose and prepare a floor surface, and to determine the amount of space needed to meet spacing requirements when installing IQ Battery 5P units on a Pedestal Mount. Follow these instructions in addition to the site preparation instructions mentioned in the IQ Battery 5P Quick Install Guide.

✓ **NOTE:** In locations such as garages, local requirements may exist to additionally prevent damage to the equipment from vehicles. Make sure to check local building codes for requirements.

LABEL	DESCRIPTION	QUANTITY
<b>Items in IQ Battery 5P packaging</b>		
1	IQ Battery 5P cover	1
2	IQ Battery 5P unit	1
3	Wall-mount bracket	1
4	Seismic screw	2
5	Battery cover grounding screws	2
6	Conduit cover	2
<b>Items in IQ Battery 5P Pedestal Mount packaging</b>		
7	Pedestal bracket assembly	2
8	Pedestal cover	1
9	L bracket	2
10	Screw, M4*10 mm Lg	6
11	Screw, M8*18 mm Lg	8
12	M10 anchor bolts	4
13	M10 flat washer	8*
14	Concrete floor mount	1

\* Only four M10 flat washers are required for the installation. The remaining four washers can be used to level uneven surfaces.

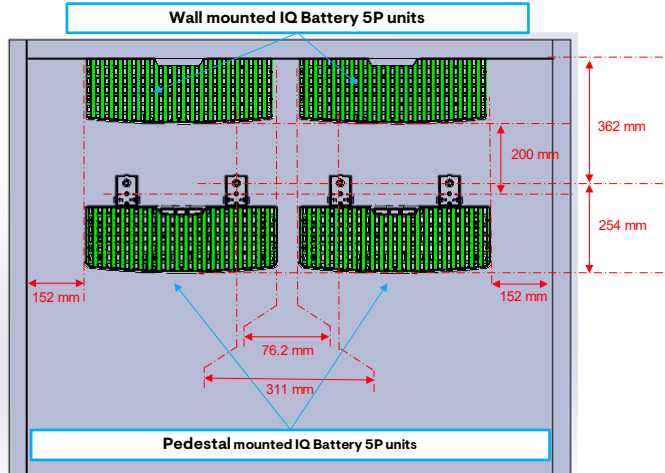
✓ **NOTE:** The top shield provided with IQ Battery 5P is not required for installing the battery on a pedestal mount. Installers can dispose it as per local guidelines.



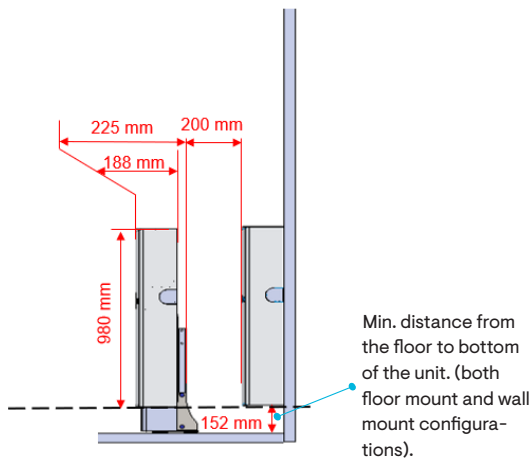
Dimensions of an IQ Battery 5P mounted on a Pedestal Mount



✓ **NOTE:** The spacings mentioned in this section are minimum allowable spacings as per UL9540A. Installers should also ensure compliance with local battery system spacing codes.



Pedestal Mount spacing details - Top view



Pedestal Mount spacing details - Side view

- Choose a location with at least 200 mm of space between a battery and the battery mounted in front.
- Select a smooth, flat concrete surface with a minimum thickness of 102 mm to hold the supplied anchor bolts.

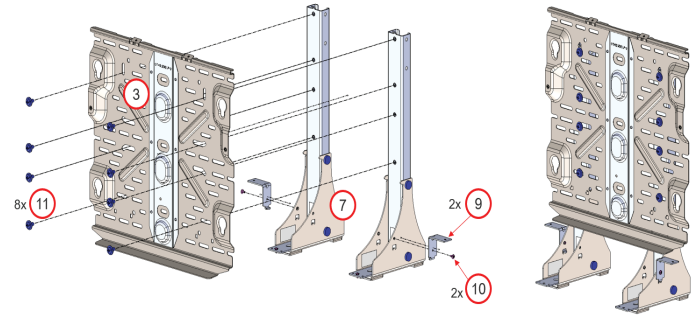
✓ **NOTE:** Minor unevenness in the concrete surface can be corrected by using the extra four flat washers included in the package.

✓ **NOTE:** Minimum distance from the floor to the bottom of the battery unit is 152.4 mm.

## 2 Prepare leg assembly

Items required for the step:

LABEL	DESCRIPTION	QUANTITY
3	Wall-mount bracket	1
7	Pedestal bracket assembly	2
9	L bracket	2
10	Screw, M4*10 mm Lg	2
11	Screw, M8*18 mm Lg	8

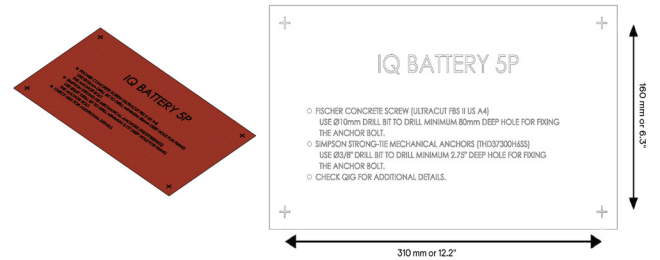


- Place the wall-mount bracket aligned over the mounting holes on the pedestal bracket assembly.
- Screw the wall-mount bracket onto the pedestal bracket assembly using the eight M8 screws (torque to 17 N m).
- Attach the L brackets onto the pedestal bracket assembly using the two M4 screws (torque to 1.5 N m).

## 3 Drill holes in the floor for installation

Use the paper board template provided with the Pedestal Mount kit to mark the drill holes in the floor.

- Fix the paper board template on the identified smooth and flat concrete surface.



✓ **NOTE:** The surface at the drilling location should be at least 102 mm thick to support the floor mount installation.

✓ **NOTE:** To ensure that there is no misalignment, installers can verify the alignment of anchor holes of the leg assembly with drilling points on the template by placing the leg assembly on the template before drilling the holes.

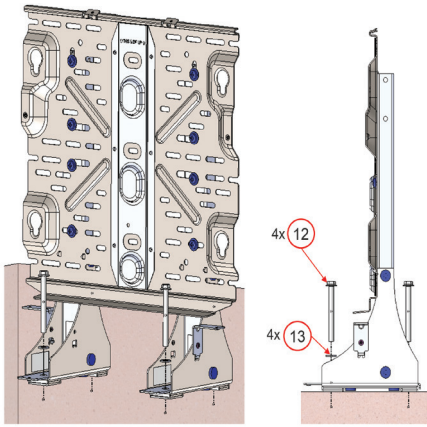
- Drill a hole with 10 mm diameter and 70 mm depth through the fixture and into the concrete.
- Clean the drill holes thoroughly.
- Remove the paper board template.

## 4 Fix leg assembly on the floor

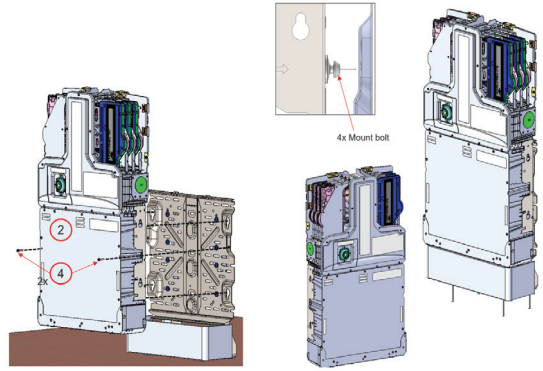
Items required for the step:

LABEL	DESCRIPTION	QUANTITY
12	M10 anchor bolts	4
13	M10 flat washer	4

Secure the pedestal assembly on the floor using four M10 anchor bolts and four M10 flat washers (torque to 54 N m).



Mount the battery unit to the wall-mount bracket (on the keyhole slot) using mount bolts, and fasten the seismic screws (torque to 5.6 N m) as per IQ Battery 5P Quick Install Guide.

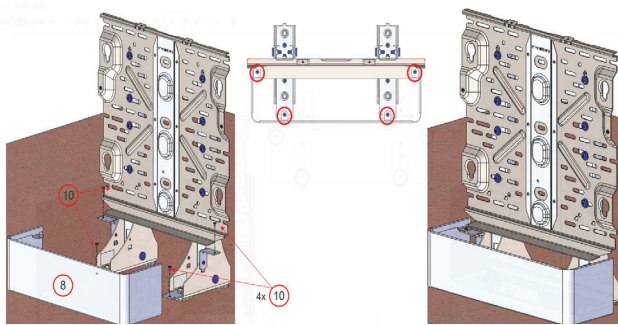


### 5 Fix the pedestal cover on the leg assembly

Items required for the step:

LABEL	DESCRIPTION	QUANTITY
8	Pedestal cover	1
10	Screw, M4*10 mm Lg	4

Assemble the pedestal cover onto the L-brackets using four M4 screws (torque to 1.5 N m) as shown in the following image.

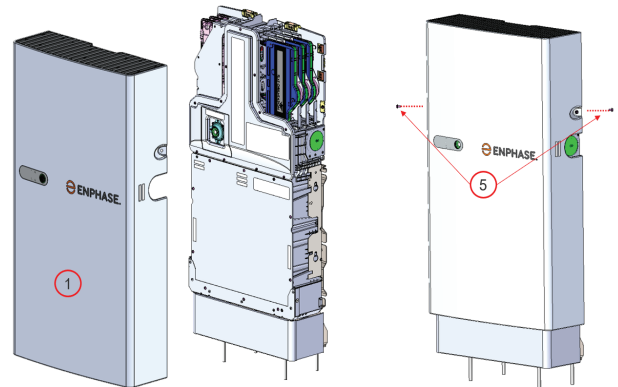


### 7 Fix the battery cover on the IQ Battery 5P unit

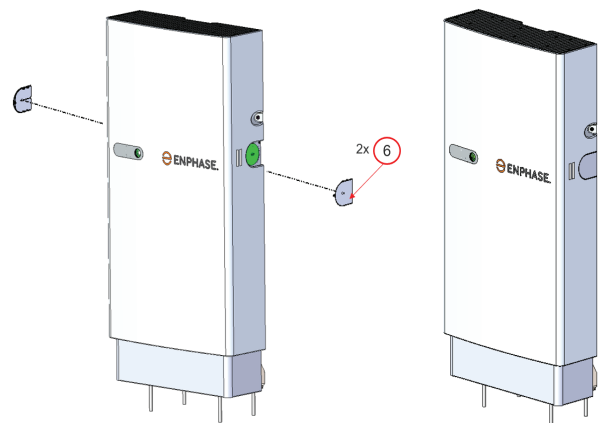
Items required for the step:

LABEL	DESCRIPTION	QUANTITY
1	IQ Battery 5P cover	1
5	Screw, M5, 10 mm	2
6	Conduit cover	2

A. Assemble the battery cover to the battery unit and fasten the battery cover grounding screws (torque to 3.0 N m) as per IQ Battery 5P Quick Install Guide.



B. Use conduit covers to close the unused conduit openings on the battery.



### 6 Mount IQ Battery 5P unit on the leg assembly

Items required for the step:

LABEL	DESCRIPTION	QUANTITY
2	IQ Battery 5P unit	1
4	Seismic screw	2

C. This completes the IQ Battery 5P installation on a Pedestal Mount. To finish the installation and energize the battery, follow the instructions in the IQ Battery 5P Quick Install Guide.



**WARNING!** Risk of injury and equipment damage. Two persons are required to lift the IQ Battery 5P.



**WARNING!** Lift the IQ Battery 5P using the handles, ensure that the battery's front side is facing towards you.

# SAFETY

IMPORTANT SAFETY INSTRUCTIONS. SAVE THESE INSTRUCTIONS. This guide contains important instructions that you must follow during the installation and maintenance of the Enphase IQ Battery(ies). Failing to follow any of these instructions may void the warranty ([enphase.com/warranty](https://enphase.com/warranty)).

## In Case of Fire or other Emergency

### In all cases:

- If safe to do so, switch off the AC breaker for the IQ Battery 5P circuit, and if an isolator switch is present, switch off the AC isolator for the IQ Battery 5P circuit.
- Contact the fire department or other required emergency response team.
- Evacuate the area.
- Contact Enphase customer support at <https://enphase.com/contact/support>.

### In case of fire:

- When safe, use a fire extinguisher. Suitable types are A, B, and C dry chemical fire extinguishers. Additional extinguishing media include carbon dioxide or alcohol-resistant foams.

### In case of flooding:

- Stay out of the water if any part of the IQ Battery(ies) or wiring is submerged.
- If possible, protect the system by finding and stopping the source of the water, and pumping it away.
- If water has contacted Enphase equipment, such as IQ Battery(ies), IQ System Controller, IQ Combiner, or IQ Gateway, they should be replaced. Please work with your installer to evaluate the next steps.

### In case of unusual noise, smell, or smoke:

- Ensure nothing is in contact with the IQ Battery(ies) or in the venting area of the IQ Battery(ies).
- Ventilate the room.

### In the event of an electrolyte leakage:

The Enphase IQ Battery 5P has a lithium iron phosphate (LFP) battery that contains organic electrolyte and is sealed in a protective case. Leaked electrolyte is toxic and highly flammable. Leaked electrolyte is colorless and has a sweet odor. Electrolyte fluid tends to evaporate quickly, leaving behind a white grainy substance. If an odor is obvious, proceed to the following steps:



**DANGER! DO NOT TOUCH OR INGEST ANY LIQUID SUSPECTED TO BE BATTERY ELECTROLYTE.**

- Evacuate personnel to a safe area and keep unauthorized personnel away.
- Isolate the spill area to a minimum distance of 75 feet (25 meters).
- Eliminate all ignition sources (no smoking, sparks, flames, hot equipment) in the immediate area around the spill.
- Do not touch or walk through spilled material.
- Avoid breathing vapors. Ensure adequate ventilation.
- Use personal protective equipment.
- Emergency Telephone Number (Chem Tel):
  - Inside United States Territories and Canada: (800) 255-3924
  - Outside United States Territories and Canada: +01 (813) 248-0585

## Safety and Advisory Symbols

	<b>DANGER:</b> This indicates a hazardous situation, which if not avoided, will result in death or serious injury.
	<b>WARNING:</b> This indicates a situation where failure to follow instructions may be a safety hazard or cause equipment malfunction. Use extreme caution and follow instructions carefully.
	<b>NOTE:</b> This indicates information particularly important for optimal system operation. Follow instructions carefully.

## Safety Instructions

	<b>DANGER:</b> Risk of electric shock. Risk of fire. Only qualified electricians should install, troubleshoot, or replace the IQ Battery(ies).
	<b>DANGER:</b> Risk of fire or explosion. Only qualified personnel, using personal protective equipment (PPE) should transport or handle the IQ Battery(ies).
	<b>DANGER:</b> Risk of explosion. Do not dispose of IQ Battery(ies) in a fire or by burning. The IQ Battery(ies) can explode.
	<b>DANGER:</b> Risk of fire or explosion. This product is designed for stationary installation only and should be used accordingly. It is not designed for mobile applications such as installation and on vehicles and trailers and should not be used in such applications.
	<b>DANGER:</b> Risk of fire. During use, when stored, or during transport, keep the IQ Battery(ies) in an area that is well-ventilated and protected from the elements, where the ambient temperature and humidity are within -20°C to 55°C (-4°F to 131°F) and 5% to 100% RH, non-condensing, preferably out of direct sunlight. Do not install the IQ Battery(ies) at elevations over 2,000 m (6,562 feet) above sea level.
	<b>DANGER:</b> Risk of fire. If the IQ Battery(ies) generate smoke, remove AC power from the Enphase System and turn the DC connect switch to the off position so that charging/discharging stops.
	<b>DANGER:</b> Risk of electric shock. Do not use Enphase equipment in a manner not specified by the manufacturer. Doing so may cause death or injury to persons, or damage to equipment.
	<b>DANGER:</b> Risk of electric shock. Do not install the IQ Battery(ies) without first removing AC power from the photovoltaic system. Disconnect the power coming from the photovoltaics before servicing or installing.
	<b>DANGER:</b> Risk of electric shock. Always de-energize the AC branch circuit during an emergency and/or before servicing the IQ Battery(ies).
	<b>DANGER:</b> Risk of electric shock. Risk of high short-circuit current. Observe the following precautions when working on batteries: <ul style="list-style-type: none"> <li>• Remove watches, rings, or other metal objects.</li> <li>• Use tools with insulated handles.</li> <li>• Wear insulating gloves and boots.</li> <li>• Do not lay tools or metal parts on top of batteries.</li> </ul>

## Safety Instructions, continued

	<b>DANGER:</b> Risk of electric shock. Risk of fire. Do not work alone. Someone should be in the range of your voice or close enough to come to your aid when you work with or near electrical equipment.
	<b>DANGER:</b> Risk of fire. Do not allow or place flammable, sparking, or explosive items near the IQ Battery(ies).
	<b>DANGER:</b> Risk of electric shock. In areas where flooding is possible, install the IQ Battery(ies) at a height that prevents water ingress.
	<b>DANGER:</b> Risk of electric shock. AC voltage is present at the output when the DC switch is on.
	<b>DANGER:</b> Risk of electric shock. Branch circuit protection must be off before switching DC power on or off.
	<b>DANGER:</b> Risk of electric shock. The DC switch must be in the OFF position for shipping and service.
	<b>WARNING:</b> Risks of electric shock, energy hazard, and chemical hazard. Do not disassemble.
	<b>WARNING:</b> Risk of equipment damage. During use, storage, transport, or installation, always keep the IQ Battery(ies) in an upright position.
	<b>WARNING:</b> You must install the IQ Battery(ies) only on a suitable wall using an Enphase wall-mount bracket.
	<b>WARNING:</b> Before installing or using the IQ Battery(ies), read all instructions and cautionary markings in this guide and on the equipment.
	<b>WARNING:</b> Do not install or use the IQ Battery(ies) if it has been damaged in any way.
	<b>WARNING:</b> Do not exceed the maximum number (1) of IQ Batteries in a 20 A AC branch circuit.
	<b>WARNING:</b> Do not sit on, step on, place objects on, or insert objects into the IQ Battery(ies).
	<b>WARNING:</b> Do not place beverages or liquid containers on top of the IQ Battery(ies). Do not expose the IQ Battery(ies) to liquids or flooding.
	<b>WARNING:</b> When placing the IQ Battery(ies) in storage, ensure that AC power is not present and that the DC switch is in the OFF position. While in storage, damage to the battery can occur from over-discharge. If the battery state of charge falls to 0%, the IQ Battery(ies) can be damaged or destroyed. Because of this, the IQ Battery(ies) must only be stored for a limited amount of time. <ul style="list-style-type: none"> <li>• The IQ Battery(ies) must be installed and energized by the “Must Energize By” date on the shipping box label.</li> <li>• The IQ Battery(ies) must have a charge state of no more than 30% when placed in storage. To do this, the IQ Battery(ies) must be placed in <b>Sleep Mode</b>.</li> <li>• If the IQ Battery(ies) is already been installed, it must be placed into <b>Sleep Mode</b> prior to uninstalling. A battery in <b>Sleep Mode</b> can be stored for a maximum of two months after being placed into <b>Sleep Mode</b>.</li> </ul>
	<b>NOTE:</b> Perform installation and wiring, including protection against lightning and resulting voltage surge, in accordance with all applicable local electrical codes and standards.
	<b>NOTE:</b> Using unapproved attachments or accessories could result in damage or injury.
	<b>NOTE:</b> Install properly rated over current protection as part of the system installation.
	<b>NOTE:</b> To ensure optimal reliability and to meet warranty requirements, the IQ Battery(ies) must be installed and/or stored according to the instructions in this guide.
	<b>NOTE:</b> The Enphase IQ Battery(ies) are intended to operate with an Internet connection. Failure to maintain an Internet connection may have an impact on the warranty. See Limited Warranty for full terms and services ( <a href="https://enphase.com/warranty">enphase.com/warranty</a> ).
	<b>NOTE:</b> When replacing Enphase IQ Battery(ies), you must replace it with an IQ Battery(ies) of the same type, with the same AC current rating.
	<b>NOTE:</b> When disconnected and stored, no automatic charge of the battery is possible.
	<b>NOTE:</b> Properly mount the IQ Battery(ies). Ensure that the mounting location is structurally suited to bearing the weight of the IQ Battery(ies).
	<b>NOTE:</b> During use, storage, and transport, keep the IQ Battery(ies): <ul style="list-style-type: none"> <li>• Properly ventilated</li> <li>• Away from water, other liquids, heat, sparks, and direct sunlight</li> <li>• Away from excessive dust, corrosive and explosive gases like ammonia, and oil smoke</li> <li>• Away from direct exposure to gas exhaust, such as from motor vehicles</li> <li>• Free of vibrations</li> <li>• Away from falling or moving objects, including motor vehicles. If mounted in the path of a motor vehicle, we recommend a 91 cm (36 in) minimum mounting height</li> <li>• At an elevation of lower than 2,000 m (6,562 feet) above sea-level</li> <li>• In a location compliant with fire safety regulations</li> <li>• In a location compliant with local building codes and standards</li> </ul>
	<b>NOTE:</b> Conditions for the IQ Battery 5P installation site apply also to storage conditions.



## Environmental Protection

**ELECTRONIC DEVICE: DO NOT THROW AWAY.** Waste electrical products should not be disposed of with household waste. Proper disposal of batteries is required. Refer to your local codes for disposal requirements.